




# ADSL LINE TRANSFORMERS

## For Infineon ADSL CPE Chipsets



-  Matched to Infineon's ADSL chipset
-  Designed to meet IEC60950 supplementary insulation requirements at 250V working voltage
-  1500V Breakdown Isolation between windings

### Electrical Specifications @ 25°C — Operating Temperature -40°C to 85°C

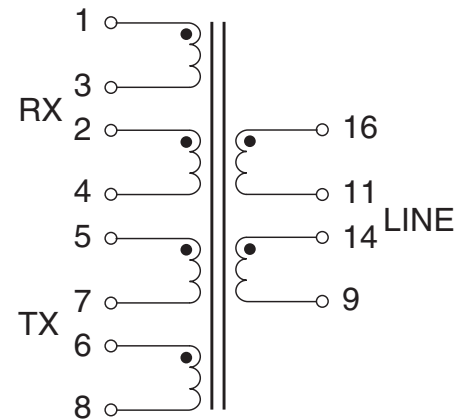
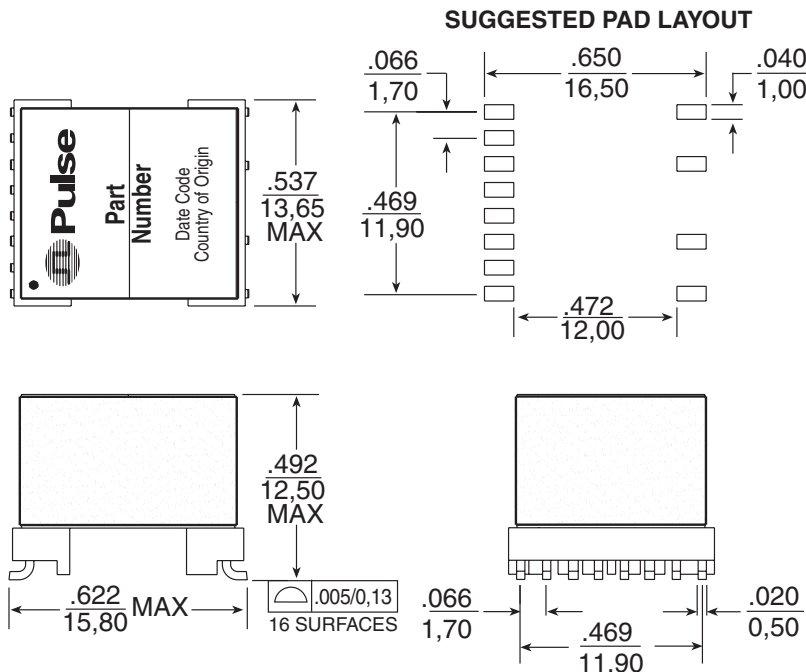
Part Number	Turns Ratio		OCL Primary (mH ±10%)	THD @30kHz, (dB MIN)	Isolation Voltage (Vrms)
	Line:TX	Line:RX			
BX2932LNL	4.2:1	1:1	1.4	-85	1500
BX2933LNL	3.8:1	1:1	0.2	-85	1500

NOTES: Transformers are shipped in trays, unless Tape & Reel packaging is specified by adding the suffix "T" to this part number (Ex: BX2932LNLT).

### Mechanical

### Schematic

#### BX2932LNL / BX2933LNL



Weight .....6.5 grams  
 Tape & Reel .....150/reel  
 Tray .....60/tray

Dimensions:  $\frac{\text{Inches}}{\text{mm}}$   
 Unless otherwise specified, all tolerances are  $\pm \frac{.010}{0.25}$

### For More Information:

#### Pulse Worldwide Headquarters

12220 World Trade Dr.  
 San Diego, CA 92128  
 U.S.A.  
[www.pulseeng.com](http://www.pulseeng.com)

Tel: 858 674 8100  
 Fax: 858 674 8262

#### Pulse Europe

Einsteinstrasse 1  
 D-71083 Herrenberg  
 Germany

Tel: 49 7032 7806 0  
 Fax: 49 7032 7806 12

#### Pulse China Headquarters

B402, Shenzhen Academy of  
 Aerospace Technology Building  
 10th Kejinan Rd.  
 High-Tech Zone  
 Nanshan District, Shenzhen  
 P.R. China 518057

Tel: 86 755 33966678  
 Fax: 86 755 33966700

#### Pulse North China

Room 1503  
 XinYin Building  
 No. 888 YiShan Rd.  
 Shanghai 200233  
 China

Tel: 86 21 32181071  
 Fax: 86 21 32181396

#### Pulse South Asia

150 Kampong Ampat  
 #07-01/02  
 KA Centre  
 Singapore 368324

Tel: 65 6287 8998  
 Fax: 65 6280 0080

#### Pulse North Asia

No. 26  
 Kao Ching Rd.  
 Yang Mei Chen  
 Taoyuan Hsien  
 Taiwan, R. O. C.  
 32667

Tel: 886 3 4643715  
 Fax: 886 3 4641911

Performance warranty of products offered on this data sheet is limited to the parameters specified. Data is subject to change without notice. Other brand and product names mentioned herein may be trademarks or registered trademarks of their respective owners. © Copyright, 2008. Pulse Engineering, Inc. All rights reserved.